

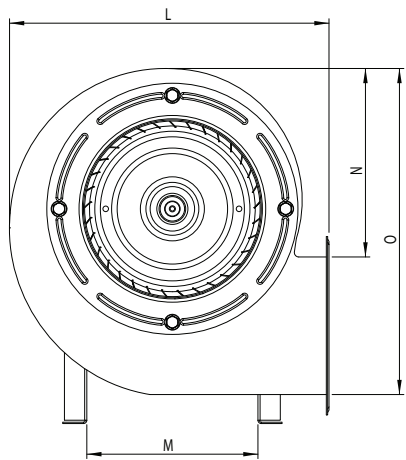
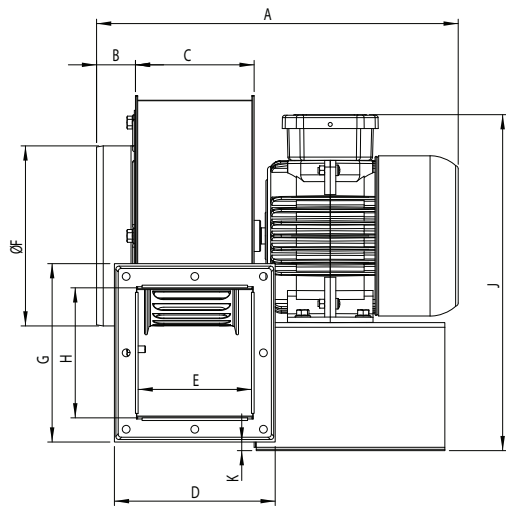


OBR 200

AC CENTRIFUGAL FANS
Single Inlet

OBR 200 works at higher temperatures due to out of airflow motor location. Forward curved impellers suit higher pressure points.

Technical Drawing



- MATERIAL** : Housing is made of electrostatic powder coated sheet steel. Forward curved impeller is made of galvanized steel.
- INSULATION CLASS** : Class B
- DIRECTIVE** : EN 60335-1, EN 60335-2-80
- SPEED CONTROL** : Speed can be adjusted using an optional controller.
- APPLICATION AREAS** : Factories, depots, dyehouses, industrial iron machines, plastic and packing machines etc. likely dusty places where dust and heat must be circulated, and cooling systems.

TYPE	VOLTAGE V	FREQUENCY Hz	POWER W	CAPACITOR (µF)	SPEED rpm	AIR FLOW m ³ /h	WEIGHT kg
OBR 200M-2K	230	50	600	8	2700	1800	9.2
OBR 200M-4K	230	50	185	8	1440	850	9
OBR 200M-2K (Backward curved)	230	50	260	8	2900	1700	9.3
OBR 200T-2K	380	50	500		2735	1820	9.2
OBR 200T-4K	380	50	160		1455	900	9

TYPE	A	B	C	D	E	F	G	H	J	K	L	M	N	O
OBR 200	322	34	109	146	102	163	161	115	310	17	288	150	170	295

Dimensions are in (mm)

