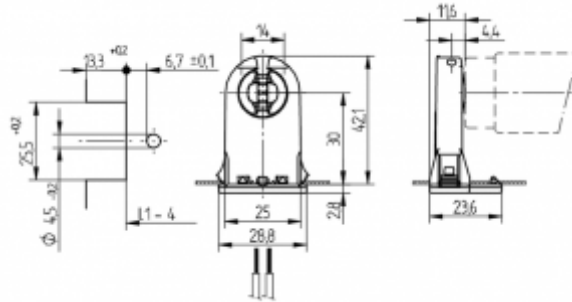


Lampholders and starter holders

26.291.4011

G13 Push through lampholders



L1-4: Recommended dimension - The distance between the cut-outs and the tolerance should be governed by the dimensions of the respective lamps and luminaires.

colour	pkg.	wt.	part no.
white	500	7 g	26.291.4011.50

Approval: additional cULus (660W /600V)

Lamp centre: 30 mm
Push fixing

Housing: PC
Rotor: PBT

- For cut-outs open at the rear or enclosed cut-outs with 4.5 mm dia. locating hole
- A pair of lampholders provides a lamp length tolerance compensation of 3 mm

T 130	Tm110	U out 500 V								
							18 AWG 0.5 -1.0 mm ²	0.4 - 2.0		